

Vipkit



cod. 22592264GB



Comelit Group S.p.A. - via Don Arrigoni 5 - 24020 Rovetta S. Lorenzo BG Italy - tel. (+39) 0346 750 011 - fax (+39) 0346 71436
www.comelit.it info@comelit.it commerciale.italia@comelit.it export.department@comelit.it



15, Rue Jean Zay - 69800 Saint Priest
Tel 04 72 28 06 56 - Fax 04 72 28 83 29
http://www.comelit.fr
E-mail: Comelit.NH@wanadoo.fr (F)



Polderweg Oost 26 - 2973 AN Molenaarsgraaf
Tel 0184 64 91 58 - Fax 0184 64 01 58
http://www.comelit.nl
E-mail: info@comelit.nl (NL)



C chaussée de Ninove, 900 - 1703 Schepdaal (Dilbeek)
Ninoofsesteenweg, 900 - 1703 Schepdaal (Dilbeek)
Tel 02 411 50 99 - Fax 02 411 50 97
http://www.comelit.be (B)
E-mail: info@comelit.be




1 Brownfields Welwyn Garden City Herts AL7 1AN
Tel 01707 337203 - Fax 01707 337204
http://www.comelitgroup.co.uk
E-mail: info@comelitgroup.co.uk (UK)

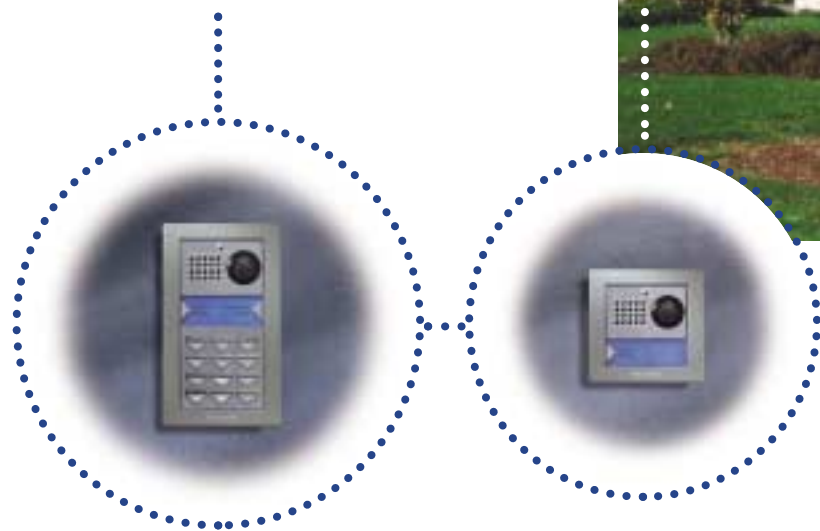


8 023903 131154


Vipkit Simple and intercommunicating.

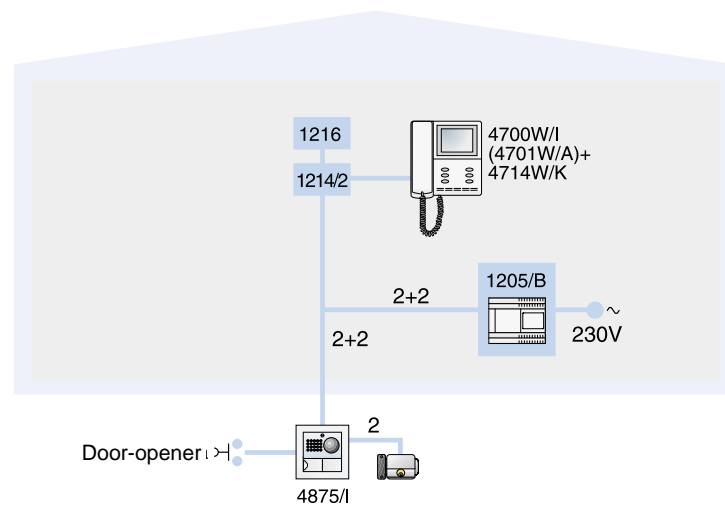


Vipkit is the new, simple, expandable but, above all, intercommunicating video door entry kit made by Comelit. Based on exclusive Comelit  **SIMPLEBUS** technology - the benchmark of simplicity - it consists of the new Powercom, entrance panel with its unmistakable blue LEDs, and an original and clear-cut design, and of Videocom, the new video entry phone with unmistakable technology and design. It is available in both single or two-family versions. The single-family version has the "privacy" function as standard and the intercom function when the system is expanded with one or more telephones/monitors. The intercom service and "privacy" function are available in the two-family version without addition of any accessories. From the basic configuration, the Kit can be expanded up to solutions with 2 external units and with 6 monitors per home unit. **The "Kit-Powercode" option means the external unit can be fitted with an electronic key to open the access door, with a secret 8-figure code, which can be programmed by the user.**



Vipkit. Single-family version.

Apart from the basic functions, this highly professional kit offers numerous important options, such as: **a)** the “privacy” function right from the basic version, **b)** connection of the “floor door” call pushbutton and call repetition by means of special terminals, **c)** duplication of the door-opening pushbutton near the external unit as well, **d)** the monitor is fitted as standard with 2 additional pushbuttons and a signalling LED, thanks to the card art. 4703 provided in the kit. **e)** by adding a telephone or a monitor, the kit allows the intercom function. **Many different variants to the basic configuration can be made** (see page 6) with the addition of supplementary monitors or telephones (2 maximum) and even with the addition of a second audio-video external call unit. The telephones and monitors are not dedicated articles, but are standard products belonging to the SIMPLEBUS family.



Flush-mounted single-family Kit [art. 8150W]


The kit includes: a Videocom monitor art. 4700W/I, a bracket 4714W/K, a push-button card art. 4703, a flush-mounting box art. 4514, a transformer art. 1205/B and an external unit art. 4875/I, a branch terminal art. 1214/2 and a line termination art. 1216.

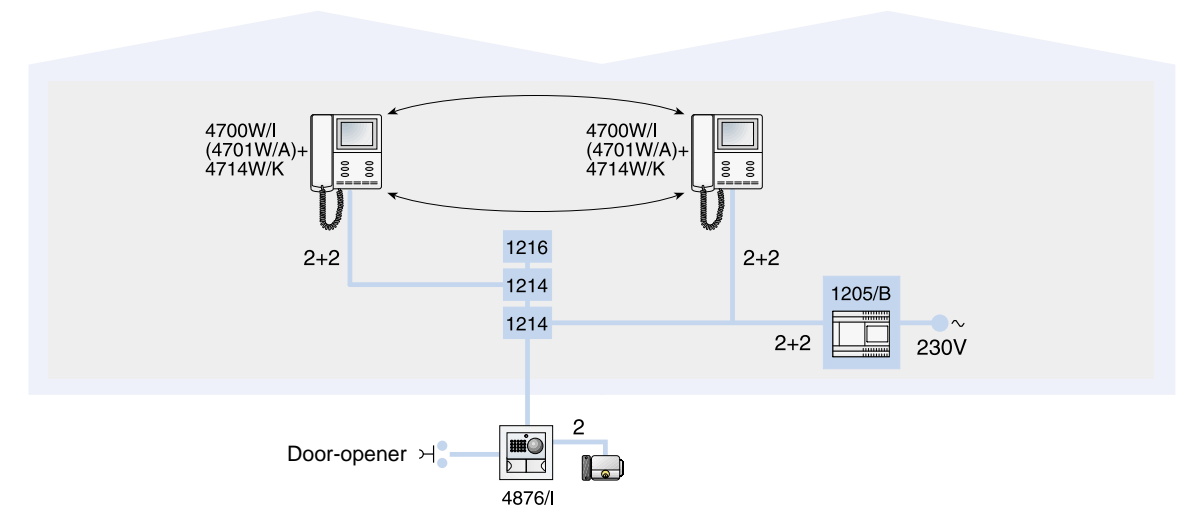


Wall-mounted single-family Kit [art. 8151W]

The kit includes: a Videocom monitor art. 4701W/A, a bracket 4714W/K, a push-button card art. 4703, a transformer art. 1205/B and an external unit art. 4875/I, a branch terminal art. 1214/2 and a line termination art. 1216.

Vipkit. Two-family version.

Apart from the basic functions, this highly professional kit offers numerous important options, such as: **a)** the intercom function between users already in the basic version and also in the case where the system is expanded with more telephones/monitors, **b)** the “privacy” function right from the basic version, **c)** connection of the “floor door” call pushbutton and call repetition by means of special terminals. **d)** duplication of the door-opening pushbutton near the external unit as well. The monitor is fitted as standard with 2 additional pushbuttons and a signalling LED, thanks to the card art. 4703 provided in the kit. **Many different variants to the basic configuration can be made** (see page 6) with the addition of supplementary monitors or telephones (2 maximum) and even with the addition of a second audio-video external call unit. The telephones and monitors are not dedicated articles, but are standard products belonging to the SIMPLEBUS family.



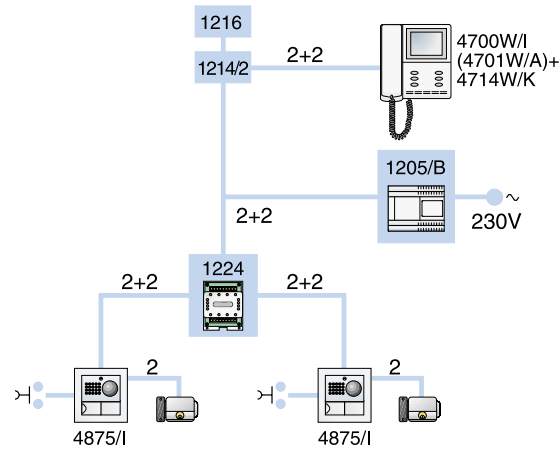
Flush-mounted two-family Kit [art. 8152W]

The kit includes: two Videocom monitors art. 4700W/I, two brackets art. 4714W/K, two push-button cards art. 4703, two flush-mounting boxes art. 4514, a transformer art. 1205/B, two branch terminals art. 1214/2, one line termination art. 1216 and an external unit art. 4876/I.

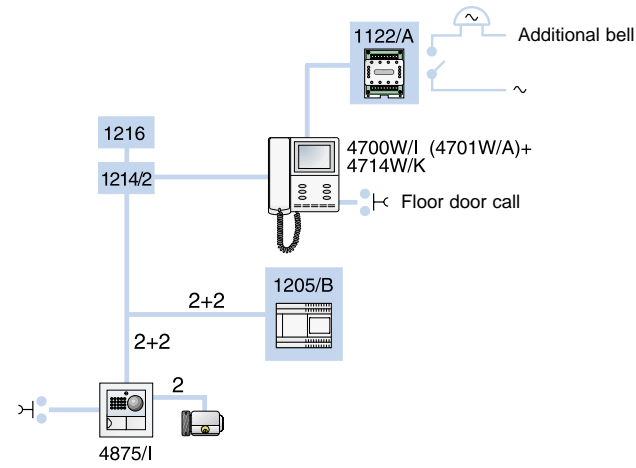


Wall-mounted two-family Kit [art. 8153W]

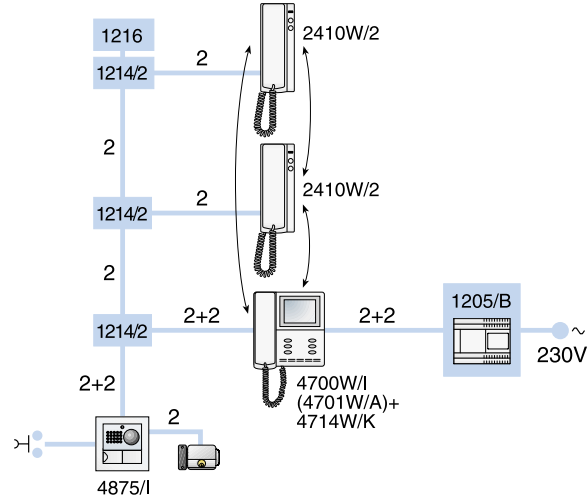
The kit includes: two Videocom monitors art. 4701W, two brackets art. 4714W/K, two push-button cards art. 4703, a transformer art. 1205/B, two branch terminals art. 1214/2, one line termination art. 1216 and an external unit art. 4876/I.



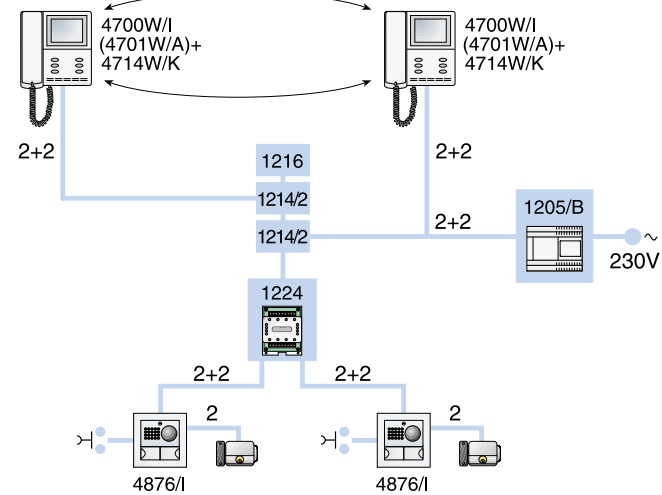
Variant with second entrance for single-family Vipkit.



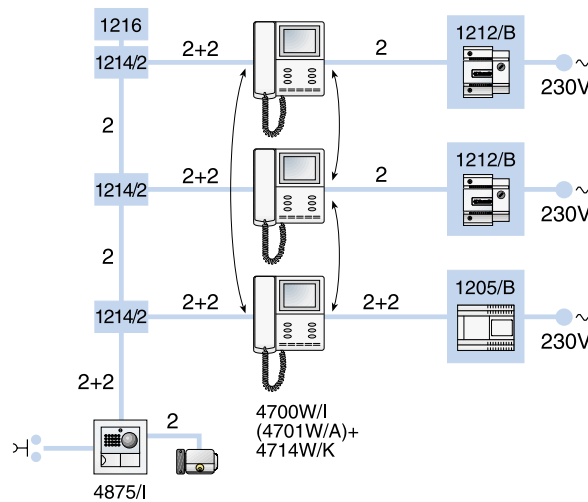
Variant for connection of floor door call and additional bell for single and two-family Vipkit.



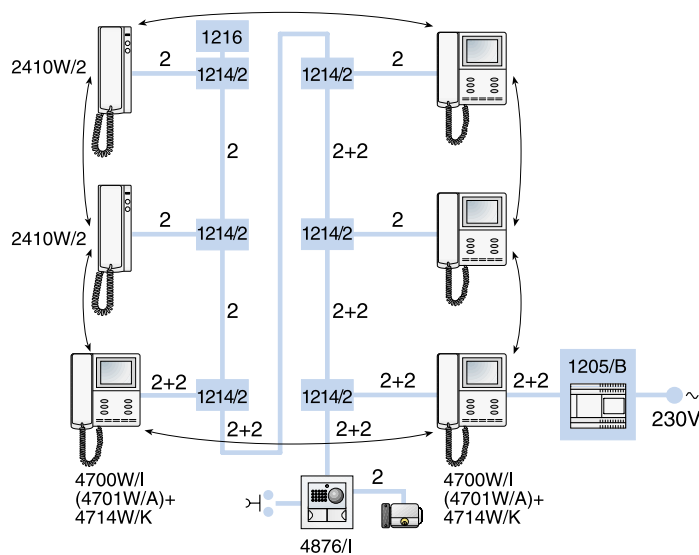
Variant with two additional telephones for single-family Vipkit with intercom service.



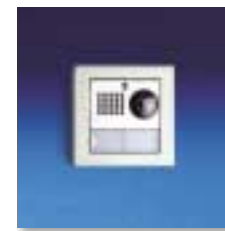
Variant with second entrance for two-family Vipkit with intercom service.



Variant with two additional monitors for single-family Vipkit with intercom service.



Variant with two additional monitors or two additional telephones for two-family Vipkit with intercom service.



[ART. 4875/I and 4876/I]

Additional external unit with 1 and 2 pushbuttons
External unit, with 1/3" CCD B/W camera, infrared lighting, microphone and loudspeaker volume adjustment, aluminium call button with name label removable from the front. Die-cast aluminium module-holder frame. Complete with flush-mounting box. The external unit can be fitted with a stainless steel wall-mounted housing, and, on request, the frame of the external unit is available in several different colours.



[ART. 4700W/I] Semi flush-mounted Videocom

Monitor (long tube). Semi flush-mounted Videocom monitor, with 4.5" B/W screen, white RAL 9010 colour, electronic call, brightness and call volume adjustment controls. Complete with door-opening pushbutton and 2 additional pushbuttons for different services (monitor self-lighting, control of lights, etc.). To be installed in flush-mounted box art.4514. The card art. 4703, provided in the kit, means the monitor can have two additional pushbuttons and a signalling LED.



[ART. 4701W/A] Wall-mounted Videocom Monitor

Wall-mounted Videocom monitor, with 4.5" B/W screen, white RAL 9010 colour, electronic call, brightness and call volume adjustment controls. Complete with door-opening pushbutton and 2 additional pushbuttons for different services (monitor self-lighting, control of lights, etc.). The card art. 4703, provided in the kit, means the monitor can have two additional pushbuttons and a signalling LED.



[ART. 4714W/K] Bracket

Completion bracket for both flush-mounted and wall-mounted Videocom monitor, allows operation of the monitor in the Vipkit door entry video kits. Complete with branch terminal art. 1216.



[ART. 4514] Flush-mounted box

Flush-mounted box for Videocom monitor Art.4700W/I. Dimensions: 96x118x70mm



[ART. 3316/1] Housing

Stainless steel housing for external unit wall installations art. 4875/I and art. 4876/I. Dimensions: 123x123x32.5 mm



[ART. 2408W/A, ART. 2410W/2 and ART. 2428W] Additional telephone

Digital telephone with 2 wires, with electronic call with adjustable volume, conversation secrecy, conversation button on the base, door-opening pushbutton and auxiliary services or free pushbutton (N.O.). Article 2410W/2 allows the intercom and "privacy" function. Dimensions 85x223x65 mm



[ART. 1212/B] Transformer

Optional power supply transformer for additional monitor, to be used in cases where immediate monitor lighting is desired after a call. Transformer for 230V primary, 0-18-21V AC secondary. Dimensions: 87.5x100x65 mm (5 DIN modules).



[ART. 1224] Switching device

Optional audio-video switching device. To be used when a second video door entry unit is added to the basic kit. Dimensions: 60x85x35 mm (4 DIN modules).



[ART. 1122/A] Relay

Power supply: 12-24 V DC/AC 5A., Dimensions: 66x85x35 mm (4 DIN modules).



[ART. 1184] Timer

Timer adjustable from 3 sec. to 180 sec., used to control locks with permanent voltage.

Power supply: 12V AC-DC. Dimensions: 66x85x35 mm (4 DIN modules).



[ART. 4703] Card with additional pushbuttons and LED

Card with 2 additional pushbuttons and signalling LED, fitted with screws. The card is supplied as part of the kits arts. 8150W, 8151W, 8152W and 8153W.



[ART. 1256] Actuator relay

Intelligent device for controlling a 10A relay (on board) for general purposes.

It can be used, for example, for additional door-opening control and stair lights service.

Follow the indications given in the technical documentation for its use and programming.

Power supply: 12V AC or 20V DC. Dimensions: 66x85x35 mm (4 DIN modules).



[ART. 3328/PK] Powercode Kit

This article allows completion of external units art. 4875/I and art. 4876/I with a coded electronic key for access door opening by means of an 8-figure secret code which can be programmed by the user. The article includes a coded electronic key module with 2 relays art.3328, a flush-mounted box art. 3110/2 and a frame art. 3311/2.